

TORSRAND AB

BJÄRNUM - SWEDEN

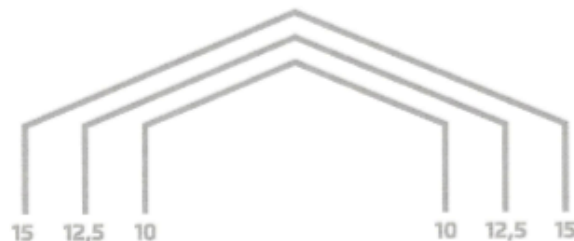


15X30 M

TENT HALLS

BETA

SPAN 10 TO 15 M



Technical Description

The main structural profile size 150.0mm x 100.0mm x 3.0mm is made of Hard Pressed Extruded Structural Aluminum alloy, anodized according to QUALANOD:2004. Connecting components size 90.0 x 90.0 x 4.0mm are made of S355 steel welded according to certificate SLV DIN 18800 and hot dipped galvanized according to standard PN EN ISO 1461 for perfect corrosion resistance.

Tent Halls are structures with no permanent anchoring to the ground.

As standard, the BETA structure is coated with PVC textile of specific weight about 670g/m² or 900g/m². The textile is not easily flammable complying to: DIN 4102 B1 certified by MPA Universität Stuttgart (Otto-Graf-Institut), to DIN EN 13501-1: B-s2 d0 certified by IBS – Linz Institut für Brandschutztechnik und Sicherheitsforschung Gesellschaft m.b.H. and to M2 certified by IFTH site de Lyon.

Alternatively sidewalls can be made of 0.5mm thick trapezoidal steel sheet T35, or 60.0mm thick sandwich panel in any color offered according to RAL table.

The Tent Hall is assembled on a well leveled, hard surface. All Tent Halls are made according to technical documentation based on current standards and regulations.



15X50 M



steel connector top



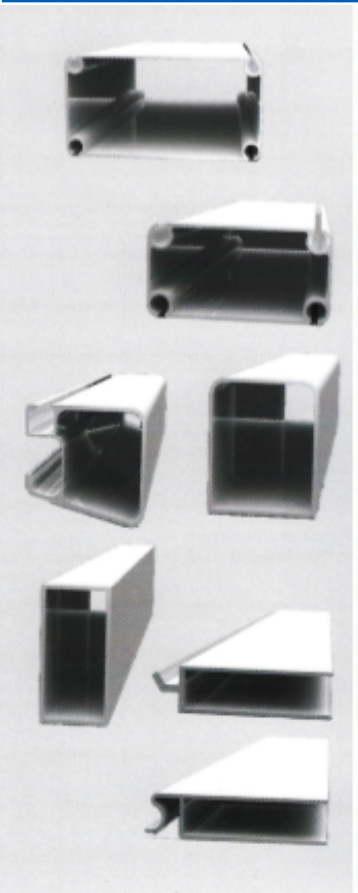
steel connector corner

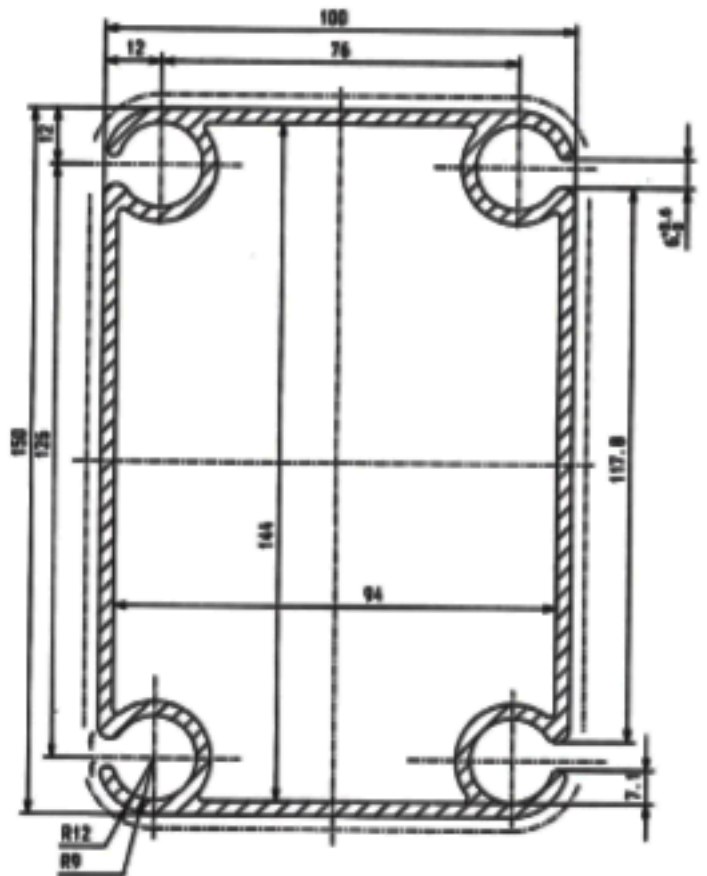
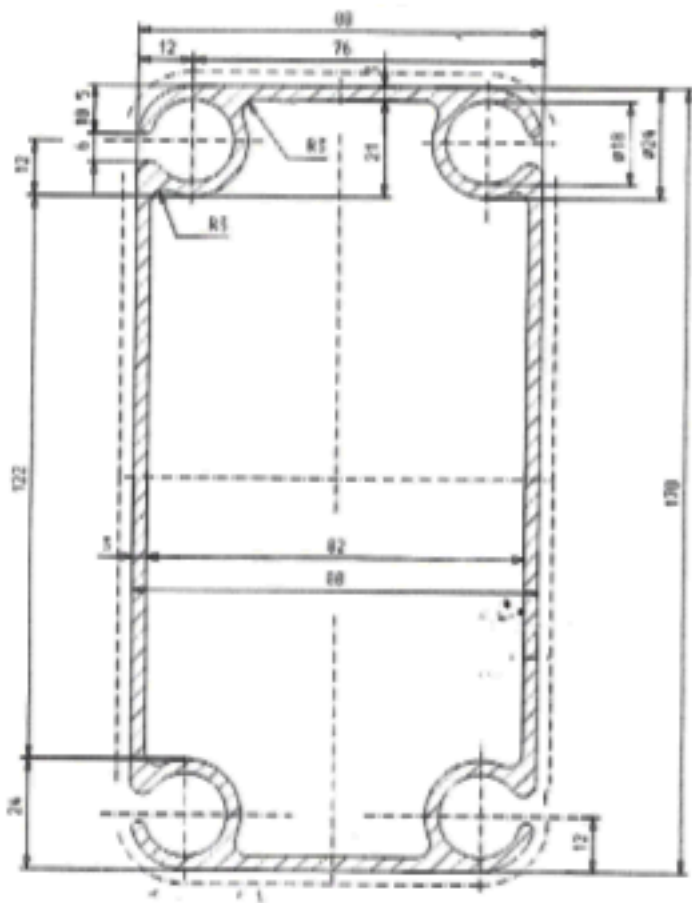


feet side



feet forefront





BETA halls

span 10,0 m

