

TORSCAND AB

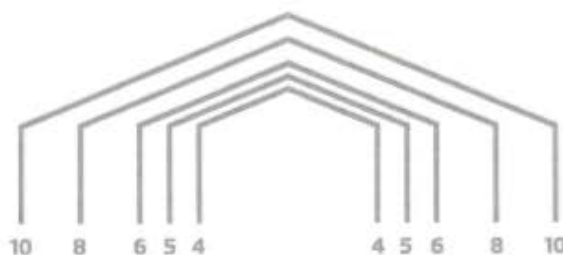
BJÄRNUM - SWEDEN



TENT HALLS

ALPHA

SPAN 4 TO 10 M



Technical Description

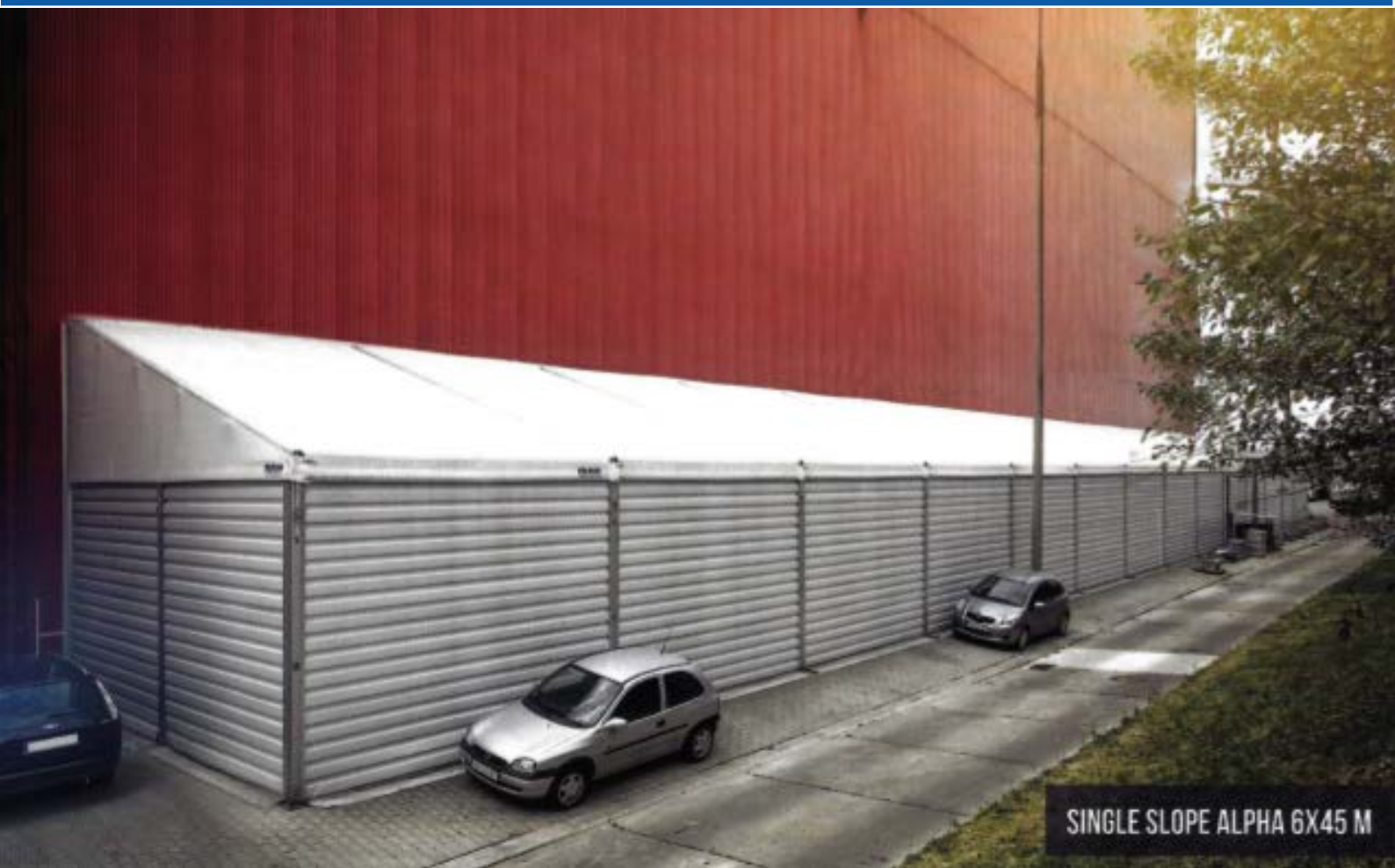
The main structural profile size 94.2mm x 46.5mm x 2.4mm is made of Hard Pressed Extruded Structural Aluminum alloy, anodized according to QUALANOD:2004. Connecting components size 70.0 x 40.0 x 4.0mm are made of S355 steel, welded according to certificate SLV DIN 18800 and hot dipped galvanized according to PN EN ISO 1461 standards for perfect corrosion resistance.

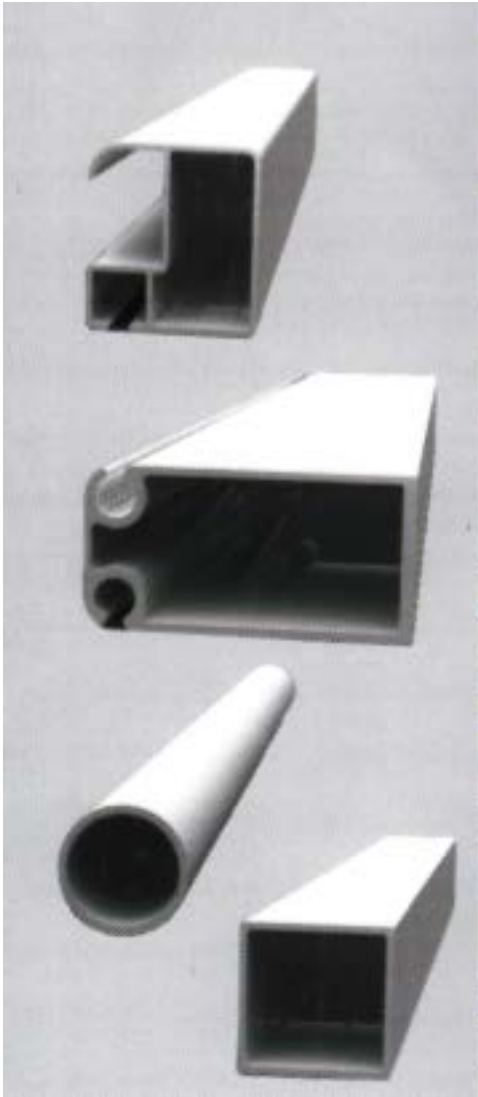
Tent Halls are structures with no permanent anchoring to the ground.

As standard, the ALPHA structure is coated with PVC textile of specific weight about 670g/m² or 900g/m². The textile is not easily flammable complying to: DIN 4102 B1 certified by MPA Universität Stuttgart (Otto-Graf-Institut), to DIN EN 13501-1: B-s2 d0 certified by IBS - Linz Institut für Brand-schutztechnik und Sicherheitsforschung Gesellschaft m.b.H. and to M2 certified by IFTH site de Lyon.

Alternatively, sidewalls can be made of 0.5mm thick trapezoidal steel sheet T18/T35, or 60.0mm thick sandwich panel in any color offered according to RAL table.

The Tent Hall is assembled on a well leveled, hard surface. All Tent Halls are made according to technical documentation based on current standards and regulations.





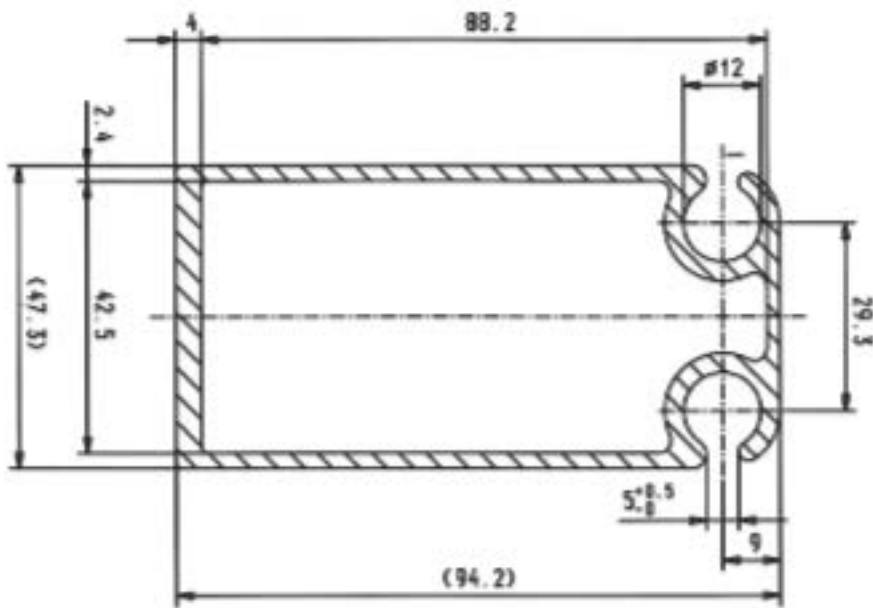
steel connector top



steel connector corner



feet side, feet forefront



Alpha halls

width 4,0 m

